

COMING SUMMER 2016

# TANDEM<sup>®</sup> MODULAR GRID



RESIDENTIAL	COMMERCIAL	STEPS	COLUMNS	FIREPIT	RETAINING WALLS	MAILBOX	FINISHES					
							SHOT BLAST	SHOT BLAST SEALED	GROUND FACE	GROUND FACE SEALED	SMOOTH	TUMBLED/ ANTIQUED
✓		✓	✓	✓		✓						

## PRODUCT SPECIFICATIONS

**Tandem Veneer Unit**

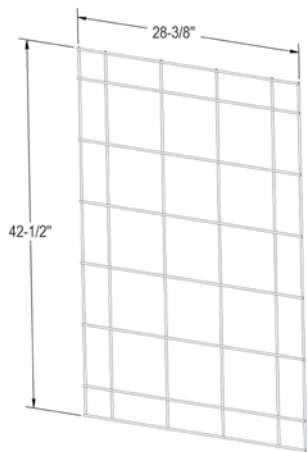
7 x 18 x 3

**Tandem Connector**

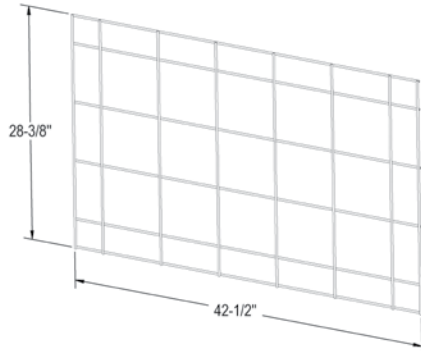
**Modular Horizontal Grid**

**Modular Vertical Grid**





Modular Grid-Vertical



Modular Grid-Horizontal



Connector



Tandem Veneer Unit\*



1 Build your wooden frame



2 Attach your Modular Grid



3 Attach Tandem Veneer with Connector