

TANDEM® WALL COLUMN



RESIDENTIAL	COMMERCIAL	STEPS	COLUMNS	FIREPIT	RETAINING WALLS	MAILBOX	FINISHES					
							SHOT BLAST	SHOT BLAST SEALED	GROUND FACE	GROUND FACE SEALED	SMOOTH	TUMBLED/ ANTIQUED
✓			✓			✓						

PRODUCT SPECIFICATIONS

Final swatch selection should always be verified with physical samples.

Tandem Column Veneer

7 x 18 x 3

Tandem Column Clip

Wire Frame



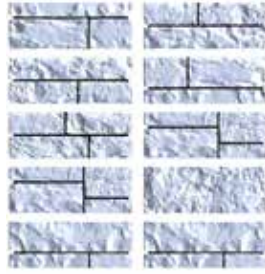
TANDEM™ COLUMN COMPONENTS



1 Column grid



Connectors:
50 Pieces per bag
(Enough for one column)

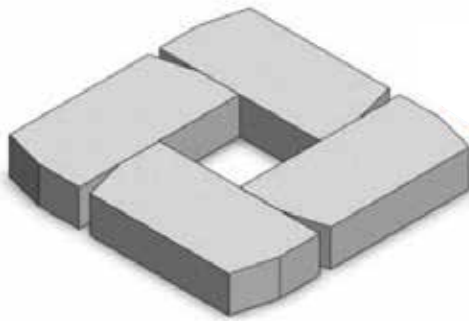


Pallet contains enough veneers to complete two 42" walls.



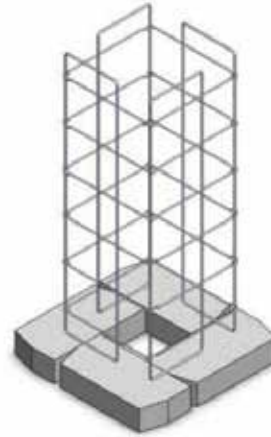
24" x 24" Cap Unit

STEP 1



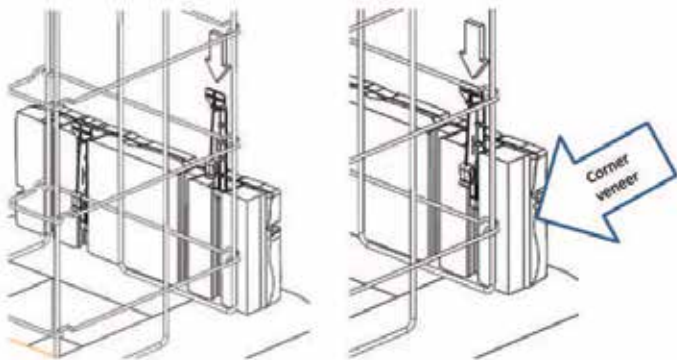
Place the grid on a prepared surface

STEP 2



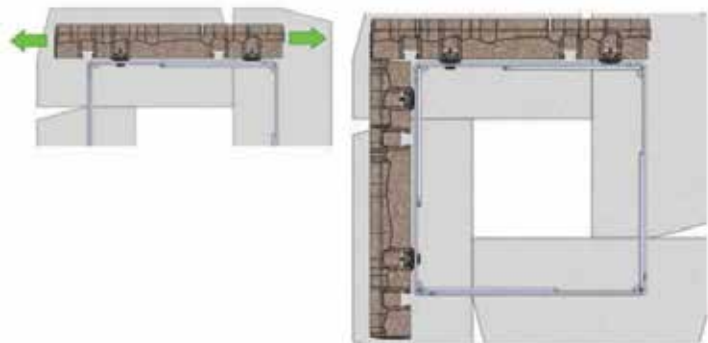
Make sure the outside perimeter of the grid is clear

STEP 3



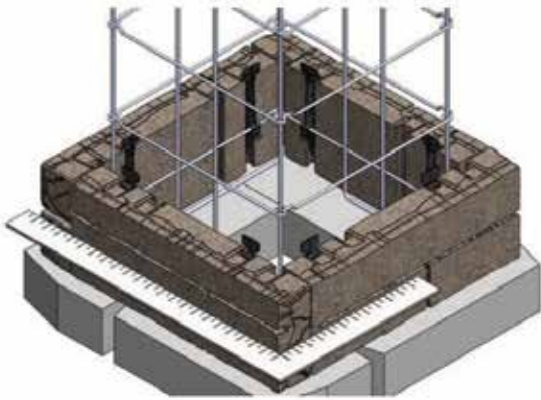
Take a veneer and slide the supplied connectors into the dovetails until they snap onto the horizontal rod of the grid.

STEP 4



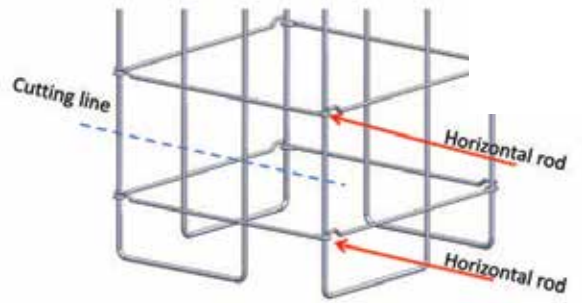
Take another stone and repeat the same process. Make sure you have a corner stone to finish the corner. Once installed, slide the stone along the horizontal axis to adjust the corner.

STEP 5



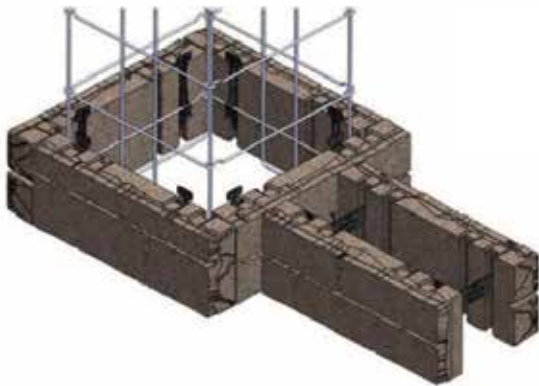
Once you have completed the first two rows, use a square to make sure the column is square and then fill the space with 3/4 " clear aggregate. Fill the empty space with aggregates at every row.

OPTIONAL



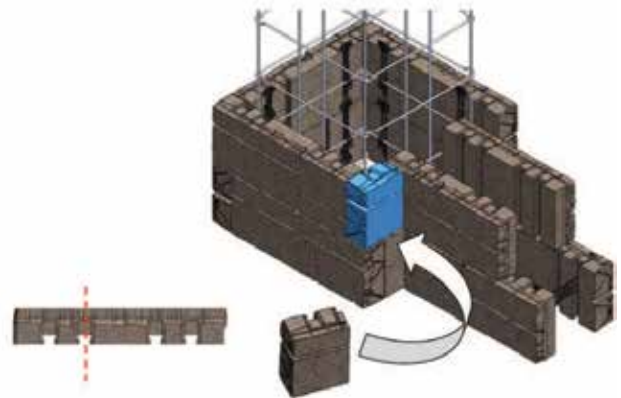
If you have to cut the grid before installation on the base, you must cut the vertical rod at mid distance between two horizontal rods as shown below.

STEP 6



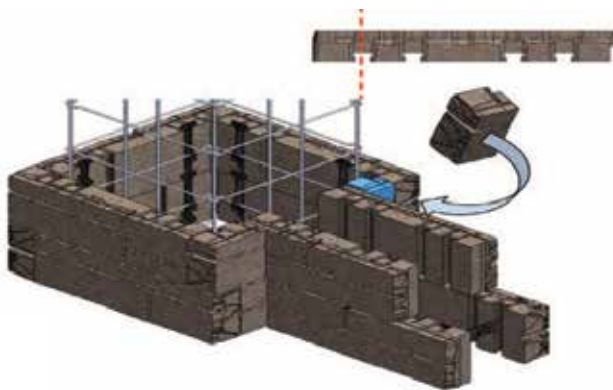
To integrate a wall into the column you must cut a veneer every two rows. The cut must be done at the middle of the dovetail.

STEP 7



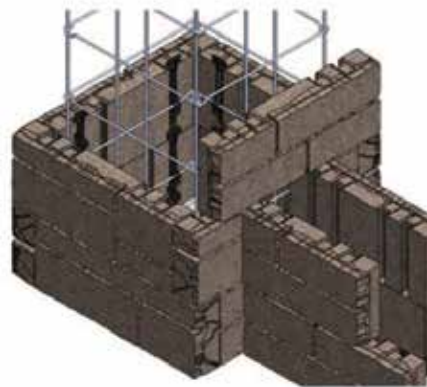
At the second row, cut a veneer (other than G format) at their middle of the selected dovetail to fit with the space left.

STEP 8



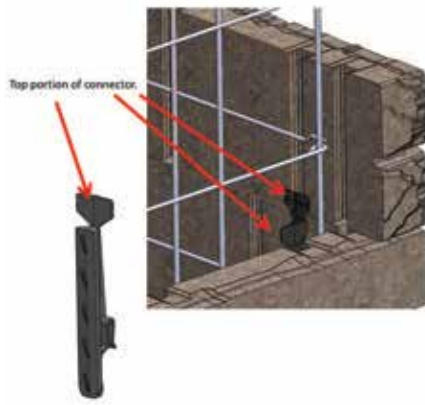
Make the same at the opposite side.

STEP 9



Start again with a full veneer to cover the wall.

STEP 10



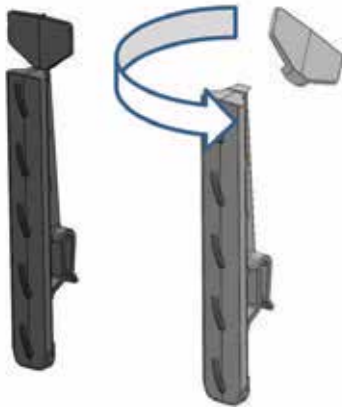
IMPORTANT
When you are starting the second row, make sure the base of the top veneer hits the top portion of the connector.

STEP 11



When you have reached the last row, cut the top portion of the connectors with pliers snippers or just by twisting the top portion with your hands.

STEP 12



Apply glue on the top of the veneers before putting on the capping. **IMPORTANT:** The capping must lay on the veneers , not on the grid.

For more pattern options visit belgard.com/products/retaining_walls

NOTES